

AVD-884 ( MPEG-4, 4CH DVR )

# Digital Security System

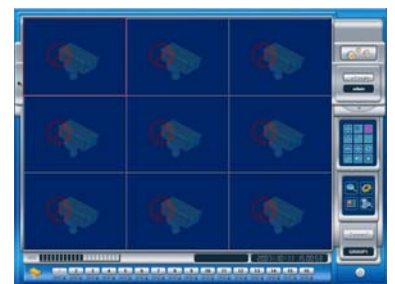
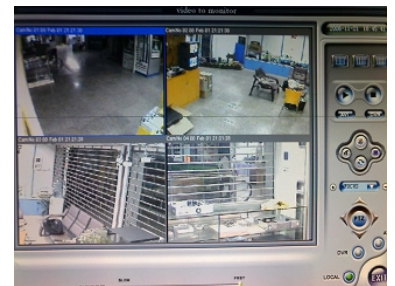
PERFORMANCE & RELIABILITY

MPEG-4



## Feature :

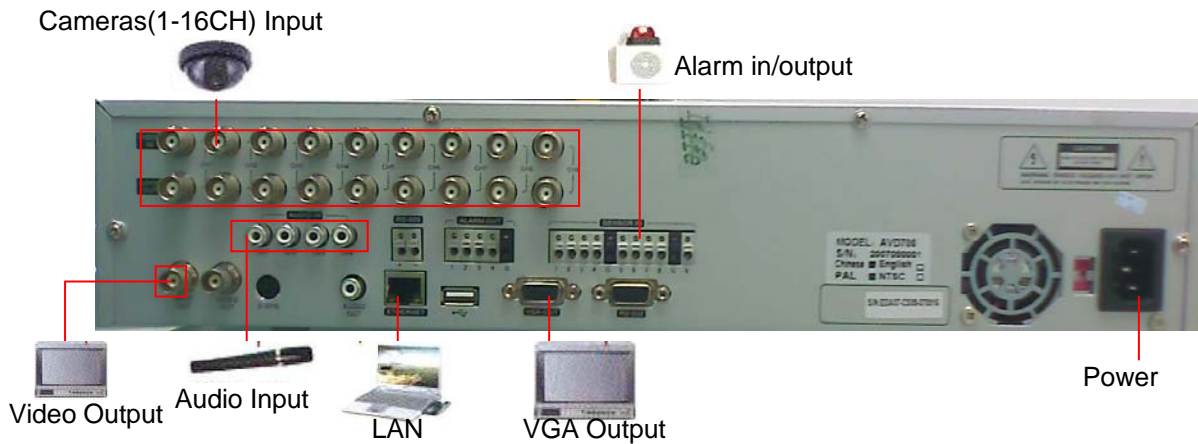
- High quality video Display and Recording: NTSC(720x480), PAL(720x576) real time display
- Multi-Recording/ Search Categories: Date/ Time, Event, Manual, Schedule
- Real time recording support:120 Fps for NTSC at CIF image (100 Fps for PAL) – 16ch Video recording at the same time
- Pentaplex: Live, Record, Playback, Back-up and Network as the same time
- Backup: (Option: CD-RW or DVD-R) and USB 2.0 support
- PTZ camera control in local and remote area
- Manual/ Schedule, alarm/ motion recording Modes
- Static, Dynamic IP and DDNS and Multi-user accessing support
- Remote Live Monitoring, file searching, Backup, Playback and PTZ camera control
- New Software that can use one browser to monitor over 36nos. of cameras





# AVD-884 (MPEG-4 4CH DVR)

## SYSTEM CONFIGURATION



## FUNCTIONAL SPECIFICATIONS

Description		Specification
		AVD-884
Video	Video Input	4 Channels Independent Input with 1.0Vp-p, 75Ω BNC
	Video Output	2ch PAL/NTSC Output with 1.0Vp-p, 75Ω BNC, Composite Video Signal 1ch VGA Display Output
Digital Processing and Storing	Compression	MPEG-4
	Video Freq	12.5K-93.75Kbytes/s
	Audio Size Rate	14.4Mbytes/hour
	Video Size Rate	45M-337.5Mbytes/hour
	Storage	3 IDE Hard Disks · Support 300G or Larger
Resolution	Display	NTSC: 720X480, PAL:720X576, Single, Quad, Sequential image
	Recording	NTSC: 720X480, 320X240, PAL: 750X576, 360X288 active pixels
Alarm	Input / Output	4 ch / 1 ch
Frame rate	Recording (FPS)	100(720X576) FPS
Network	Protocol	10/100 Base-T TCP/IP, UDP, HTTP, SMTP, NTP, DHCP, DDNS
	Network Function1	Easy GUI, Live Monitoring, Remote Configuration, PTZ control, Backup and Playback
	Network Function2	Multi-user accessing, Two way audio support, NTP Option: CMS software
PTZ	Pan/Tilt/Zoom	RS485
Archiving	Back-up	(CD-RW or DVD-RW) and USB 2.0 for data backup
F/W upgrade	Network	Firmware Upgrade, network
Other	Power	AC 220V (±20%) · 50Hz (±2%)
	Working Temperature	-10~50°C
	External Dimensions	430 (W) x90 (H) x340 (D) mm (without Footpads and pedestal)

The above specification can be changed without previous notice for improvement of product.

Lifecom Technologies (HK) Co., Ltd.

Tel. : 3589 6755 Fax: 3427 3318 E-mail: [info@lifecomhk.com](mailto:info@lifecomhk.com) Web-Site: [www.lifecomhk.com](http://www.lifecomhk.com)